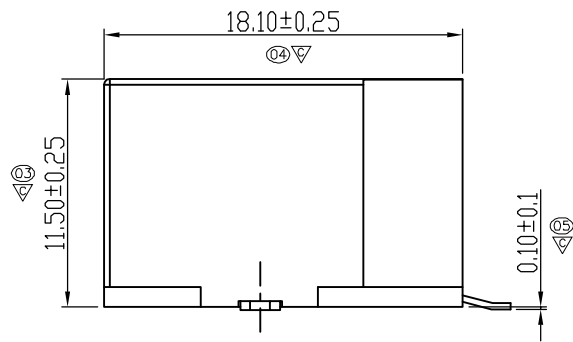
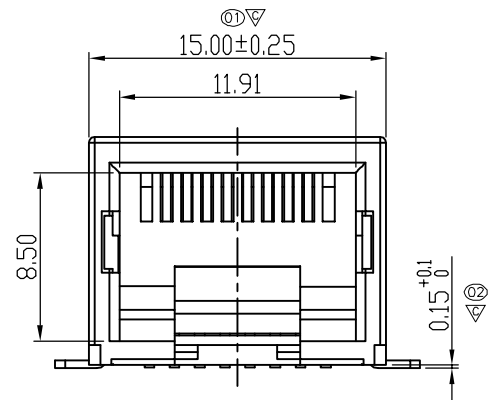


REV.	ECN. NO.	NAME	DATA
AO	NEW	DING	2017-11-17



**ELECTRICAL:**

- VOLTAGE RATING: 125 VAC RMS
- CURRENT RATING: 1.5 AMP
- CONTACT RESISTANCE: 40mΩ MAX.
- INSULATION RESISTANCE: 1000MΩMIN. AT 500V DC.
- DIELECTRIC STRENGTH: 1000 VAC 50Hz 1MINUTE

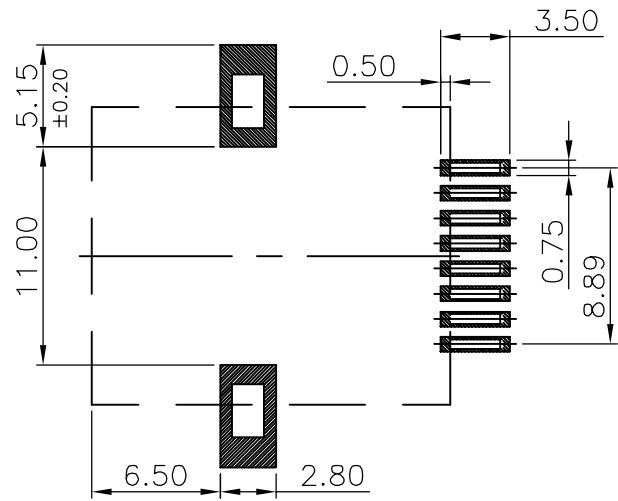
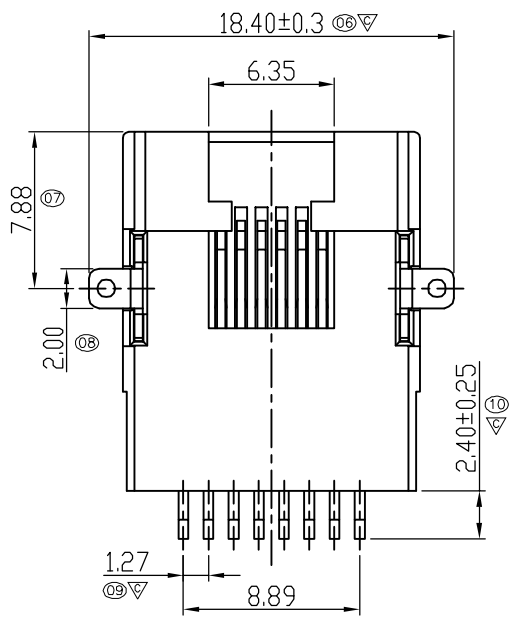
**MECHANICAL:**

- HOUSING MATERIAL: SEE TABLE ,COLOR BLACK. INSERT MATERIAL: LCP BLACK
- CONTACT MATERIAL: PHOSPHOR BRONZE C5191-H T=0.30MM
- PLATING: GOLD PLATING OVER NICKEL IN CONTACT. TIN PLATING OVER NICKEL IN SOLDER AREA.
- SOLDER PADER: T=0.40MM BRASS PLATING NICKEL ALLOY.
- OPERATING LIFE:750 CYCLES MIN.

**ENVIRONMENTAL:**

- STORAGE: -40°C TO +85°C
- OPERATION: -40°C TO +70°C

标有“(M)”为FAI尺寸, 标有“(M)”号为重点管控及首件检测尺寸.



Recommend PCB Layout

序号	品名规格	包装方式
1	RJ45 18.1 SMT 全塑 带外贴脚 LCP黑色	卷装
2	RJ45 18.1 SMT 全塑 带外贴脚 PA6T黑色	卷装
3	RJ45 18.1 SMT 全塑 带外贴脚 PA9T灰色	卷装

DETACHED LISTS	MM (INCH)	绘图: DING 2017-11-17
	公差: TOLERANCES (Designed)	审核: DING 2017-11-17
	MM (Checked)	批准: FANG 2017-11-17
	MM (Approved)	材料: SEE NOTES
	角度 (ANGLES) ± 1.5°	比例: 1:1

东莞市欣旺久电子有限公司

系列 (SERIES)	名称 (NAME)		
RJ	RJ45 18.1 SMT 全塑 带外贴脚		
图号 (DWG NO.):	料号 (PART NO):	版本 (REV.):	AO
料号 (PART NO):	见表格	单位 (UNIT):	MM
共 (SHEET) 1 页		第 (OF) 1 页	

1  
2  
3  
4  
5  
6  
7  
8

A B C D E F G H